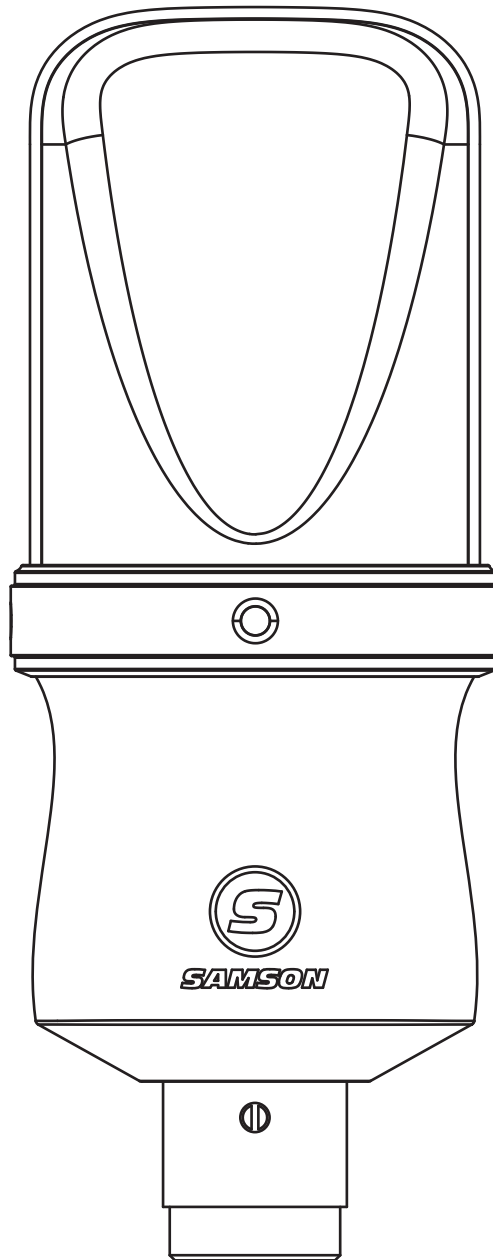


# ***SAMSON***<sup>®</sup>

PROFESSIONAL MICROPHONE



GT1 Large Diaphragm Condenser Microphone

## **USER MANUAL**

# Safety

- Please read this manual carefully before using this product.
- This manual is always included when transferring the microphone to the third party.
- Don't open the microphone body . The warranty is invalid if the customer opens the production in violation of these instructions.
- Liquids entering the product may short-circuit electronic equipment or damage mechanical devices. Keep all liquids away from the product.
- Solvents or cleaners can damage the product surface. Only use a soft, slightly damp cloth to clean the product.
- Use this product with care and don't expose the product to extreme temperatures .
- Please store the product in a dry, clean and dust-free room temperature when the microphone is not used for a long time .

# Contents

Product Introduction -----	Page 03
Features -----	Page 04
Application Area -----	Page 04
GT1 Overview -----	Page 05
Using the microphone -----	Page 06
Specification -----	Page 09
If a problem occurs -----	Page 11
Manufacturer Declarations -----	Page 12
Service -----	Page 12
Chinese-----	Page 13-23

# Product Introduction

**Congratulations on purchasing the Samson GT1 large diaphragm condenser microphone.**

Samson GT1 is a large diaphragm cardioid condenser microphone with a 20.2mm diaphragm capsule, with precise acoustic design and tuning, providing a pleasing experience. Its excellent sound quality and high cost effectiveness , The ideal choice for project studios and home recording applications.

## **Microphone box contents :**

- GT1 condenser microphone
- User manual,certificate,warranty card

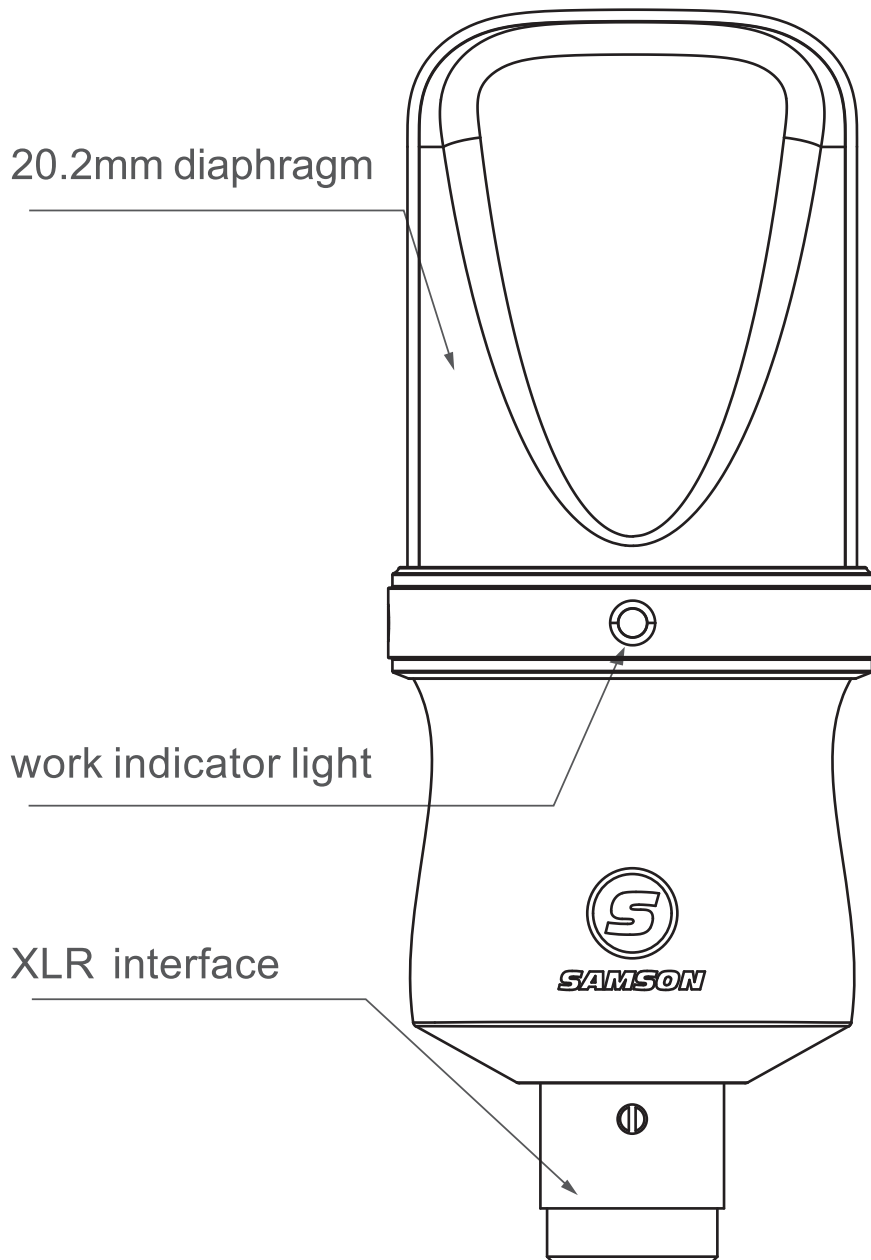
# GT1 Features

- large diaphragm studio condenser microphone.
- Cardioid polar pattern application.
- 20.2mm diaphragm capsule with internal shock absorption installation to reduce operating noise.
- 48 volt phantom power operation with blue LED.
- Durable metal shell.

# Application Area

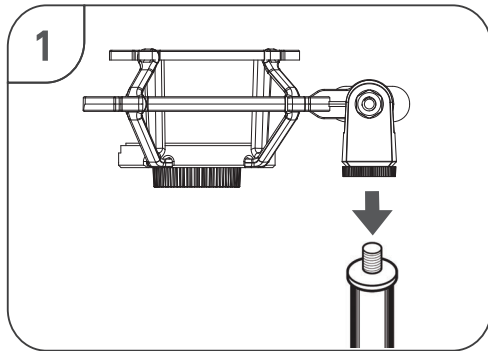
- Voice / Vocal
- Acoustic guitar
- Piano
- Strings
- Wind instruments
- Drums and percussion instruments

# GT1 Overview

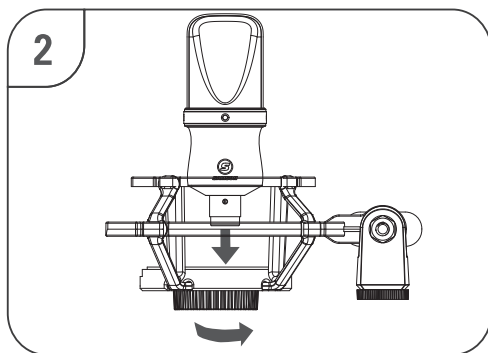


# Using The Microphone

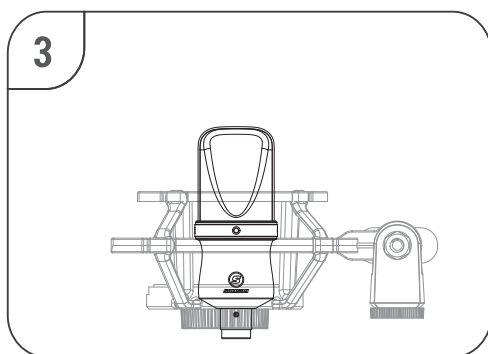
## Install microphone



1.Screw the microphone shock mount onto a stand.



2.Place the microphone from above into the microphone shock mount.



3.To orient the microphone , always loose the wing screw.

To suppress structure-borne noise, you can optionally use the shock mount which is available as a accessory.

# Connecting the microphone

---

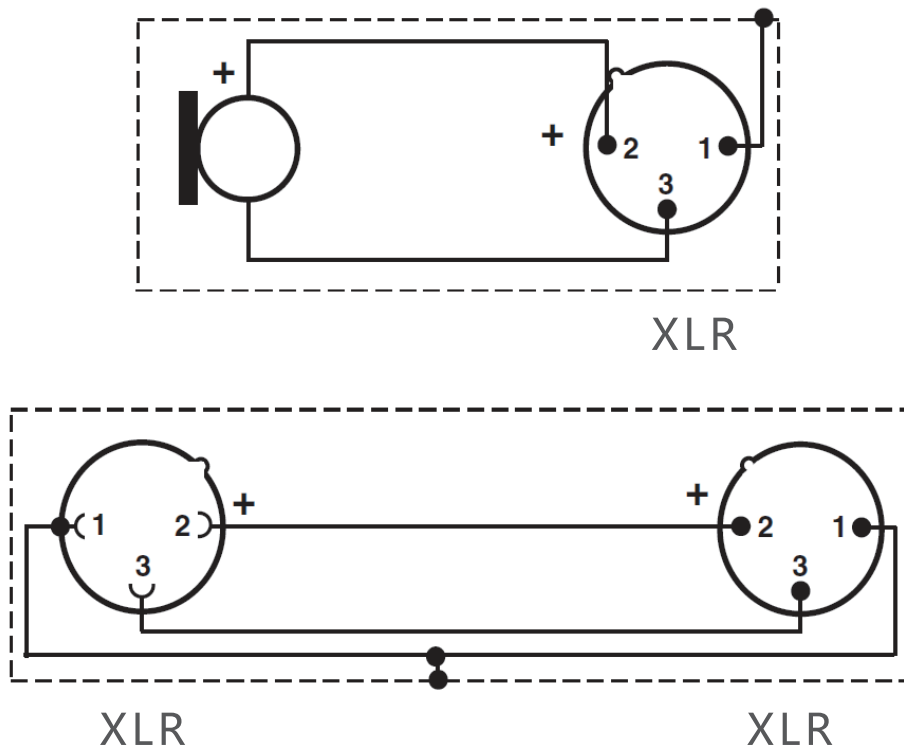
## CAUTION!

Inappropriate power supply may cause product damage.

---

► Use a microphone cable with XLR-3 female connector to connect the microphone's XLR-3 male connector to the microphone preamplifier (48V phantom powering as per ICE 61938 , at least 3.5mA per channel. )

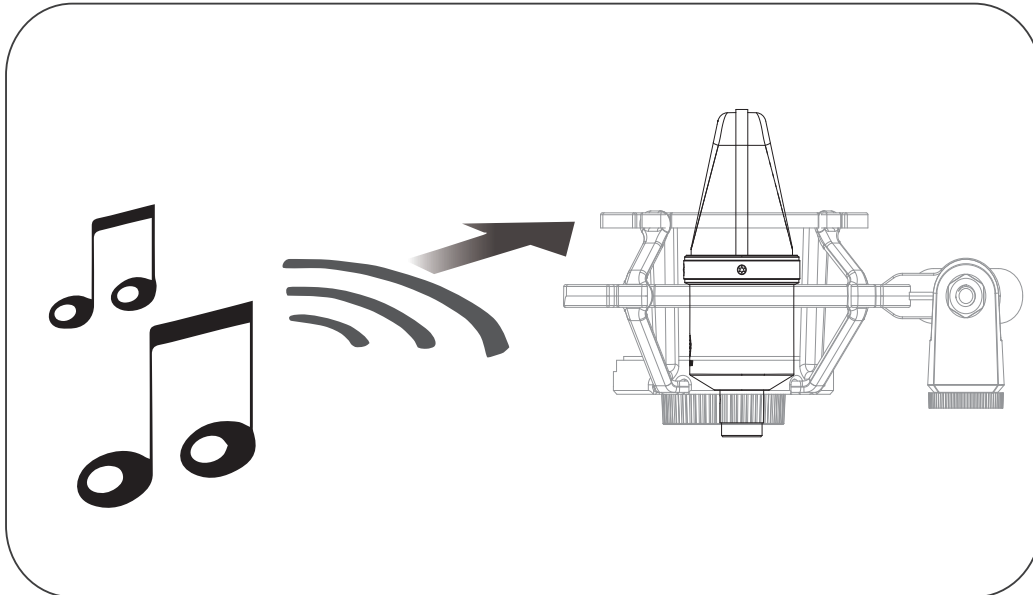
Pin assignment of the XLR-3 connector





## Using the microphone

- ▶ Orient the microphone towards the mouth or sound source .



If sibilance occurs , position the microphone slightly to the side and not directly in front of the mouth .

If hissing occurs , place the microphone slightly to the side, not directly in front of your mouth .

To eliminate interference noise as much as possible , make sure that there is no interference noise source as much as possible , make sure that there is no interference noise source ( Such as PC , fan ) in the sound inlet area of the microphone .

### Application Examples:

Windshield or windscreens , which only slightly change the sound , but attenuate the wind noise by about 10dB.

# Specification

Drive:  $\Phi$  20.2mm diaphragm capsule

Polar pattern: Cardioid

Power supply: 48V DC phantom

Sensitivity: -33dB, 22.4mV/Pa

Output impedance: 100 ohms

Frequency response: 20Hz-20KHZ

Equivalent noise level: 20dB-A SPL

Maximum sound pressure level: 136dB

LED indicator: 48V phantom power supply

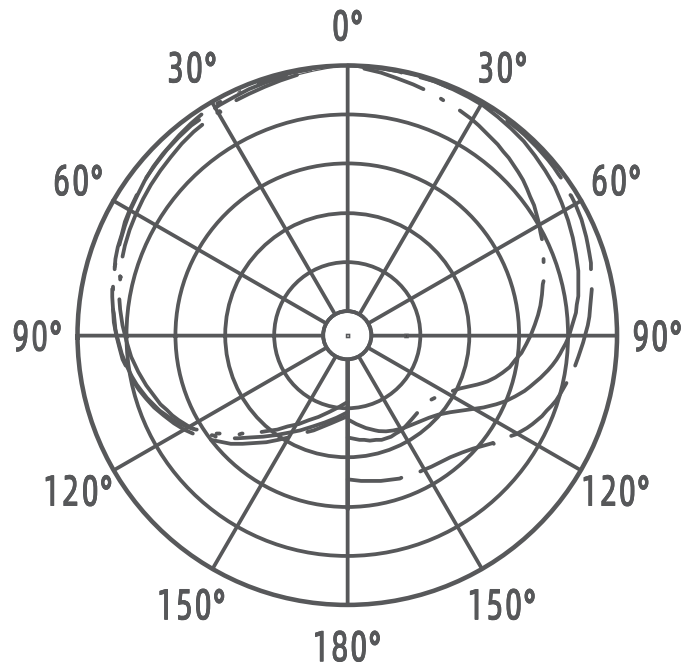
Size: diameter 58.5mm \* length 150mm

Weight: 315 grams

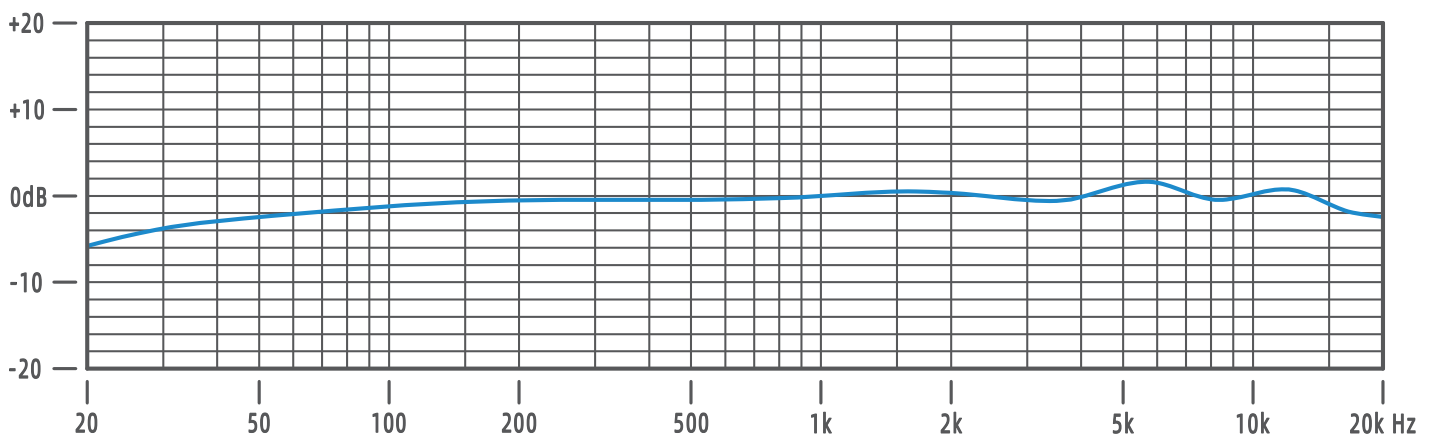
Working temperature: 0 ° C to +40 ° C

Storage temperature: -20 ° C to +70 ° C

## Polar diagram



## Frequency response curve



# Troubleshooting

*If a problem occurs...*

## **No function**

The phantom power on the mixing console or phantom power device is not switched on. Check the corresponding setting on the channel strip.

## **Sound distorted**

Wrong input sensitivity setting or wrong pre-amplification of the subsequent amplifier. Reduce the input sensitivity or pre-amplification of the subsequent device so that sufficient gain reserve remains.

## **Sound muffled, spatial**

Pick-up pattern has been ignored, Check if the microphone is spoken into from the correct side. Make sure that the Samson logo or the slanted front of the sound inlet basket faces your body.

# Manufacturer Declarations

SAMSON Gives a warranty of 12 months on this product .  
For current warranty conditions, please visit our website at [www.samsontech.com](http://www.samsontech.com) or contact your SAMSON partner .

## Service Information

or more information and support in China , please contact SAMSON China operations Center, scan the QR code below -m Follow the official account – watch the video solution in the tutorial center of the official account , or leave a message online to contact customer support .



## 重要安全知识

- 使用本产品前，请仔细阅读本说明书。
- 将产品传递给第三方时，始终包括本说明书。
- 切勿打开产品外壳，如果客户违反本说明打开产品，则保修无效。
- 进入产品的液体可能使电子设备短路或损坏机械装置，所有液体远离本产品。
- 溶剂或清洁剂会损坏产品表面，只能使用柔软、稍湿的布清洁产品。
- 小心使用本产品，不要将产品暴露在极端温度下。
- 长时间不使用麦克风时，将麦克风存放在干燥、清洁、无尘的室温下。

# 一、产品介绍

祝贺您购买Samson GT1大振膜电容麦克风。

Samson GT1是一款大振膜心型电容式话筒，配有20.2毫米振膜盒，精准地声学设计调校，提供令人耳目一新的表现。其卓越的音质和高性价比使GT1成为项目工作室和家庭录音应用的理想选择。

盒装内容物:

- GT1 电容话筒
- 用户手册、合格证、保修卡

## 二、性能特点

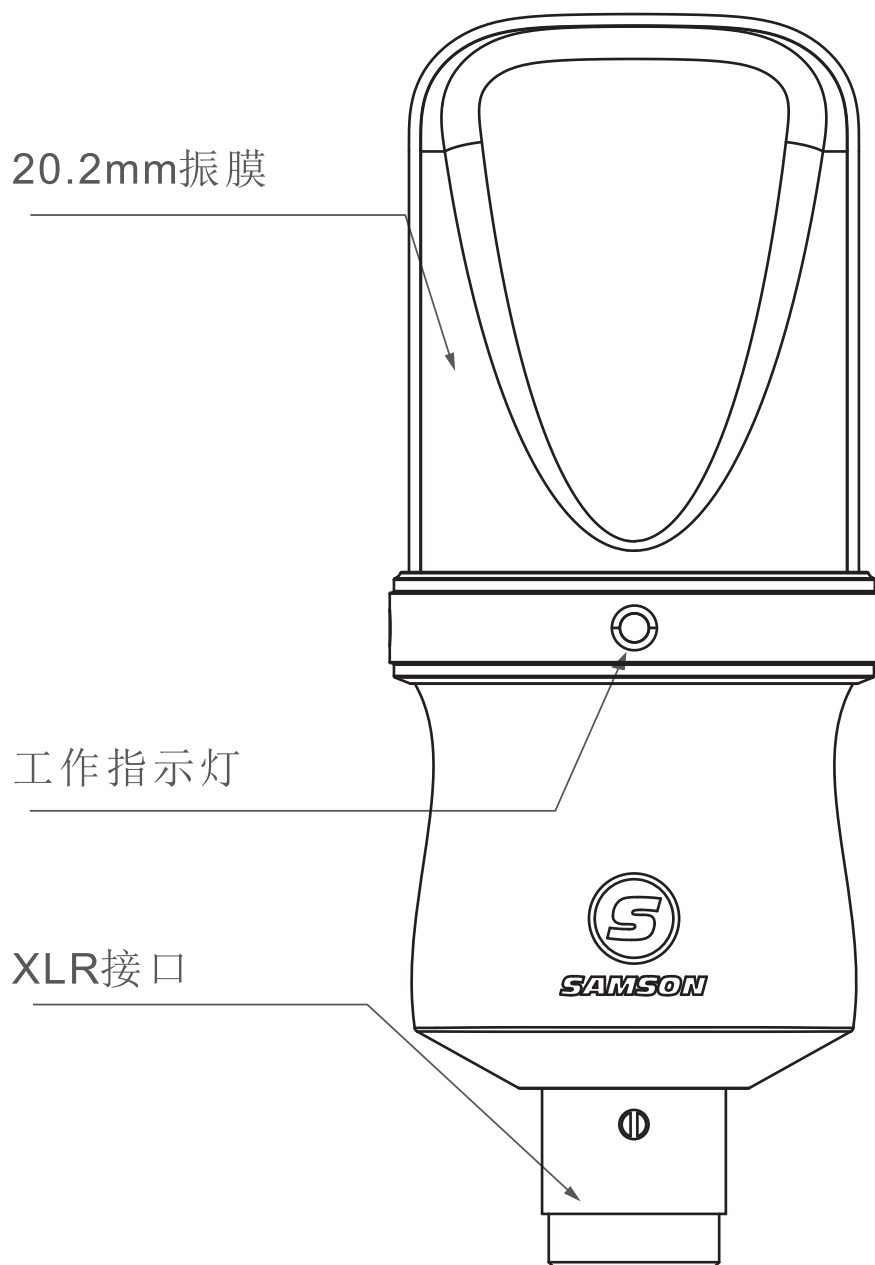
- 大振膜、演播室电容话筒。
- 心形拾音模式应用。
- 20.2mm音头，内部减震安装，以降低操作噪音。
- 48伏幻象电源操作，带蓝色LED。
- 坚固的金属外壳。

## 三、应用领域

- 语音/人声
- 原声吉他
- 钢琴
- 弦乐
- 管乐器
- 鼓和打击乐器

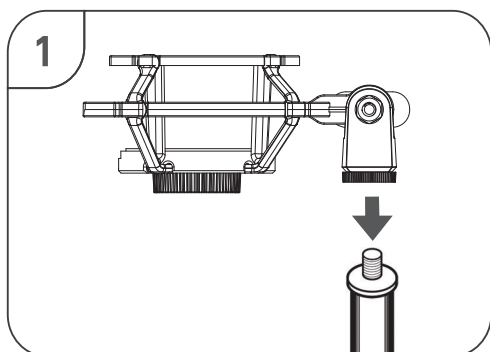


## 四、GT1 总览

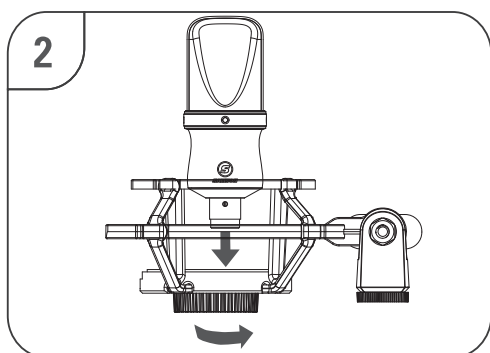


## 五、产品使用

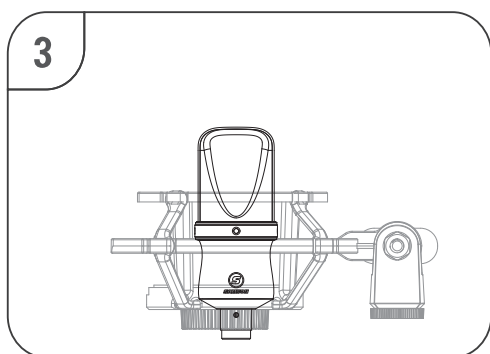
### 安装麦克风



1. 将话筒防震架安装到坚固的支架上。



2. 将麦克风从上放入麦克风防震架并拧紧。



3. 定向麦克风, 要确定麦克风的方向, 请务必松开螺钉。

为了抑制结构噪声, 您可以选择使用防震支架, GT1的防震支架需另外购买提供。

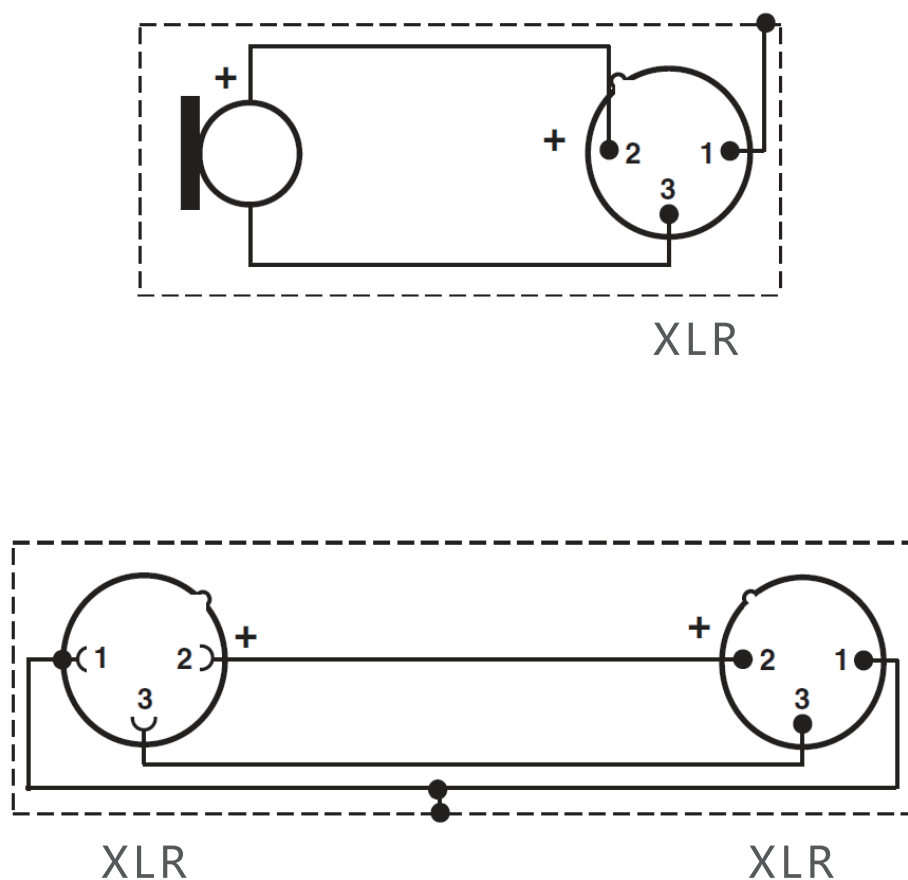
## 连接麦克风

小心!

不合适的电源可能导致产品损坏。

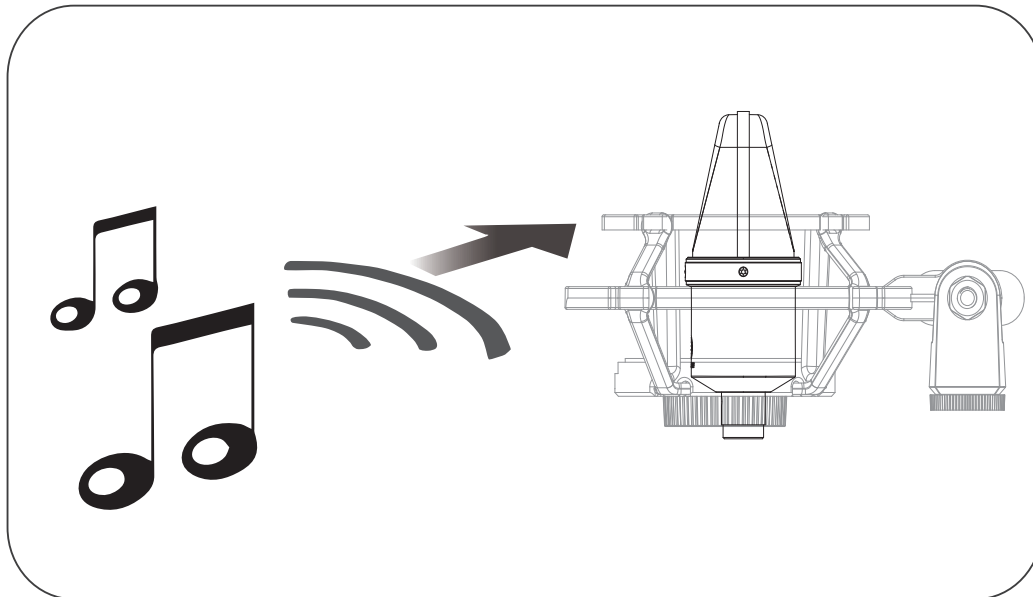
◆使用带有XLR-3母接头的麦克风电缆将麦克风的XLR-3公接头连接到麦克风前置放大器（根据IEC 61938， $48 \pm 4$  V 幻像电源，每个通道至少3.5 mA）。

XLR-3连接器的引脚分配



## 麦克风使用

◆ 将麦克风朝向嘴或声源。



如果出现嘶嘶声，请将麦克风稍微放在侧面，而不是直接放在嘴的前面。

应用实例：

1. 为了尽可能消除干扰噪声：确保麦克风的声入口区域没有干扰噪声源（如PC风扇）。
2. 使用防喷网，可把爆破音气流中和抵消。
3. 使用防风棉仅轻微改变声音，但将风噪声衰减约10 dB。

## 六、技术规格

音头:  $\Phi$  20.2 mm 电容音头

拾音模式: 心型

电源: 48V直流幻象电源

灵敏度: -33dB, 22.4mV/Pa

输出阻抗: 100欧姆

频率响应: 20Hz-20KHZ

等效噪声级: 20 dB-A SPL

最大声压级: 136dB

LED灯指示: 48V幻象电源

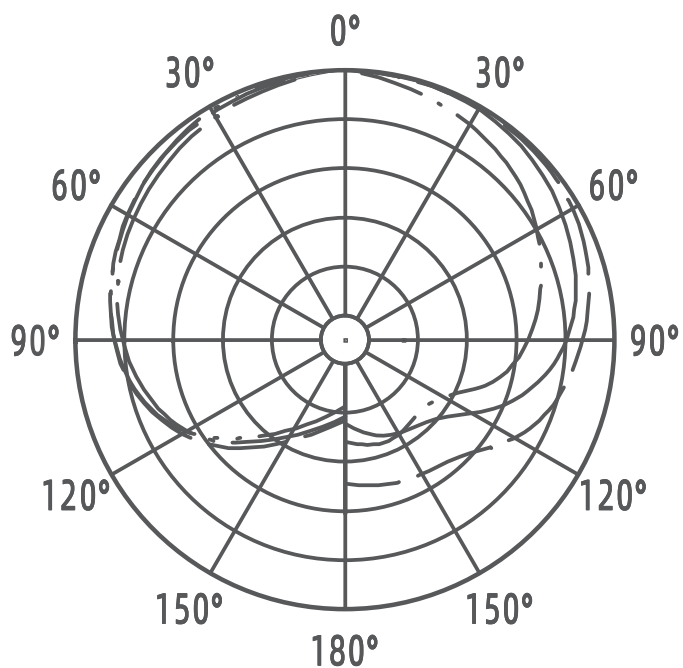
尺寸: 直径58.5毫米\*长度150毫米

重量: 315克

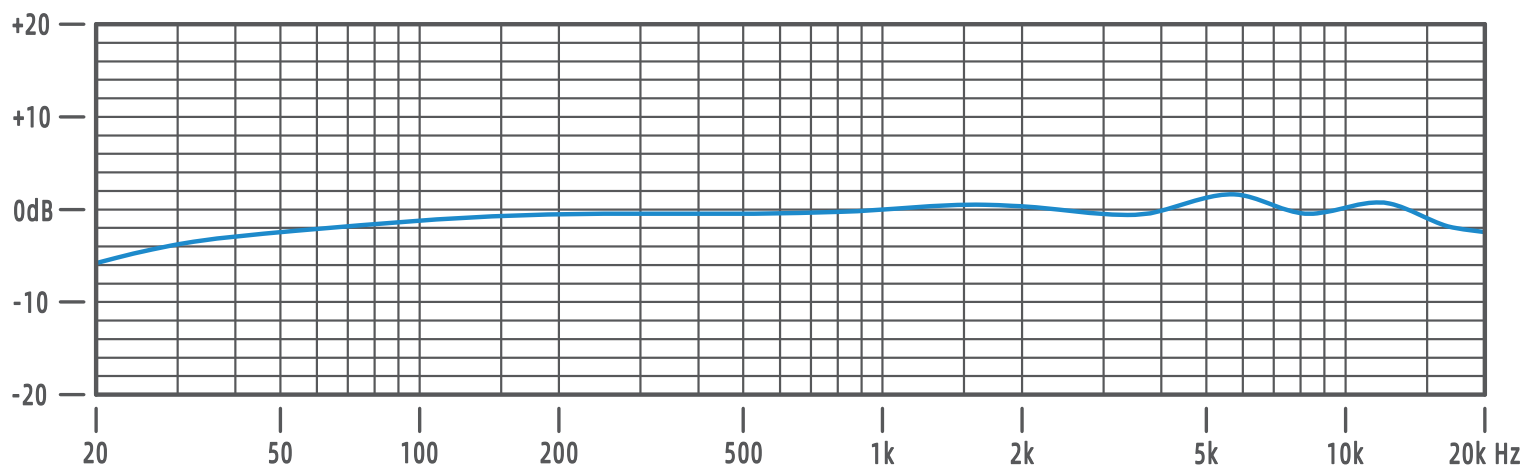
工作温度: 0°C to +40°C

储存温度: -20°C to +70°C

## 极图



## 频率响应曲线



## 七、故障排除

### 安装麦克风

如果出现问题...

#### 1. 没有声音

有可能音频接口或混音器的幻象电源未打开（幻象电源开启，GT1蓝色工作指示灯将常亮），并检查设备之间连接正确与否，确保该输入通道音量已打开。

#### 2. 声音失真

原因可能是话筒前级放大器的问题如增益过大设置，结构噪声传播，环境如风的影响等。请降低后续设备的输入增益或预放大，使用合适的防震架，合适的防喷网或防风棉。

#### 3. 声音沉闷

可能忽略GT1心型拾音模式，检查麦克风是否从正确的一侧说话，确保SAMSON标志正面朝向您的身体。

## 八、保固声明

SAMSON为本产品提供12个月的保固期，保固范围仅包括制造过程中使用缺陷材料和制造错误而引起的故障。有关当前保固条件，请访问我们的网站[www.samsontech.com](http://www.samsontech.com)或联系您的SAMSON合作伙伴。

## 九、服务信息

在中国，有关更多资讯和支持，请联系SAMSON中国运营中心，扫描下图二维码-关注公众号-在公众号的教程中心观看视频解答，或在线留言联系客服支持。



扫码关注服务号



***SAMSON***<sup>®</sup>

---

Samson Technologies Corp.

278-B Duffy Ave

Hicksville, New York 11801

Phone: 516-870-7200

Fax: 516-938-1696

[www.samsontech.com](http://www.samsontech.com)

---

Due to the continuous improvement of the product , the parameters and specifications may be changed without notice and the picture maybe slight different from the real object which shall prevail .